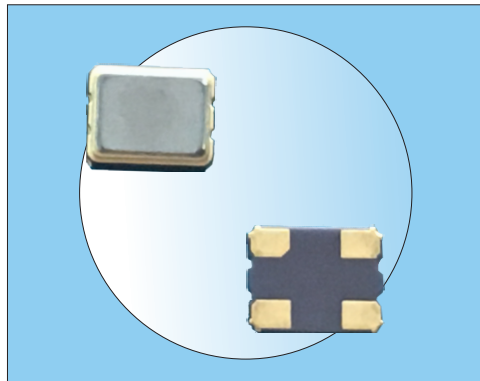


# Crystal Clock Oscillators

## Clock Oscillator/SMD 3225L



### Features

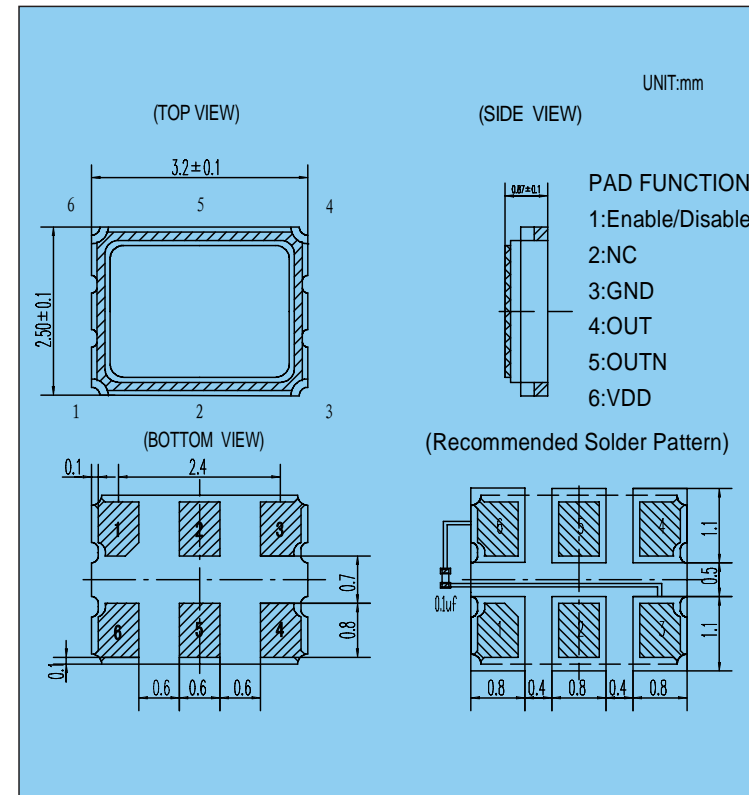
- JYEG part number :JYOD3L
- 3.3V supply voltage
- LVDS output
- Tri-state function available
- Tape and reel available

### TYPICAL SPECIFICATIONS

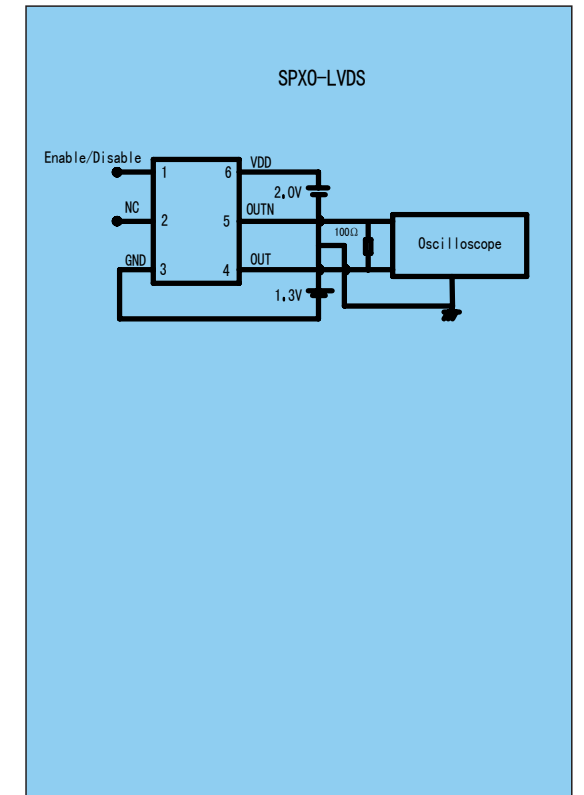
Type	OSC SMD3225L		
Frequency Range	80.000~170.000MHZ(AT1)		
Frequency Stability	≥ ± 30ppm/≥ ± 35ppm		
Operating Temperature Range	-20°C~70°C/-40°C~85°C		
Output Load	100±1Ω		
Input Current	≤80mA		
Supply Voltage	3.3V ± 10%		
Start-up Time	3ms Max		
Duty Cycle	40%~60% Normal,45%~55% Tight		
Rise/Fall Time	2ns Max		
Output "H" Level	MIN	TYP	MAX
	-	1.43	1.6
Output "L" Level	MIN	TYP	MAX
	0.9	1.1	-
Tri-state	Pin1:0.7 VDD Min(High)or open,Output:Enable		
RMS	Pin1:0.3 VDD Max(Low),Output:Disable		
Jitter (12KHZ~20MHZ)	1.0ps Max		
Aging	±3ppm/year Max		
Storage Temperature Range	-55°C~125°C		

# Crystal Clock Oscillators

### OSCSMD(3225L)



### TEST CIRCUIT



### TAPE AND REEL DIMENSIONS

